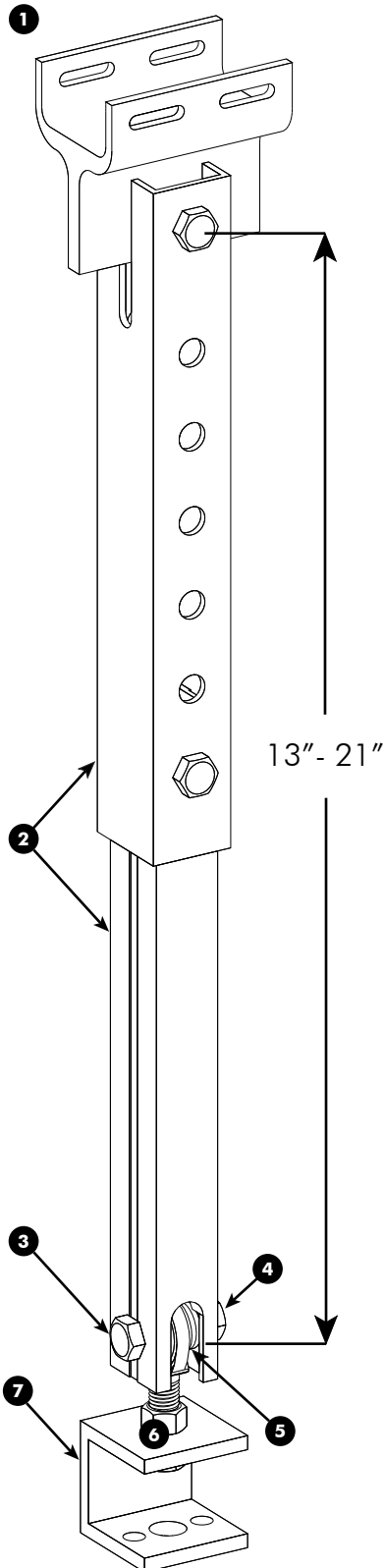
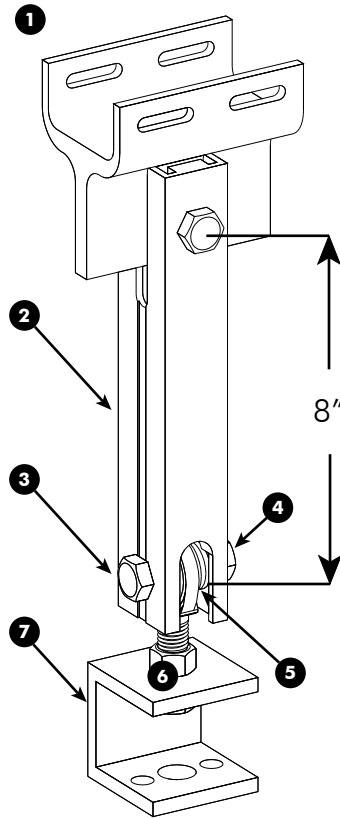


**21" Extended Length**



**SSC Part No. EZB-1321**

**8" Fixed Length**



**SSC Part No. EZB-8**

- 1 500 Pound Rating per Set
- 2 High Tensile Aluminum Extrusions
- 3 All Stainless Steel Fasteners
- 4 All Stainless Steel Ny-Lock Nuts
- 5 Adjustable Stainless Steel / Teflon Bearing
- 6 Fine Adjustment for Level Accuracy
- 7 SS Clip 2"

