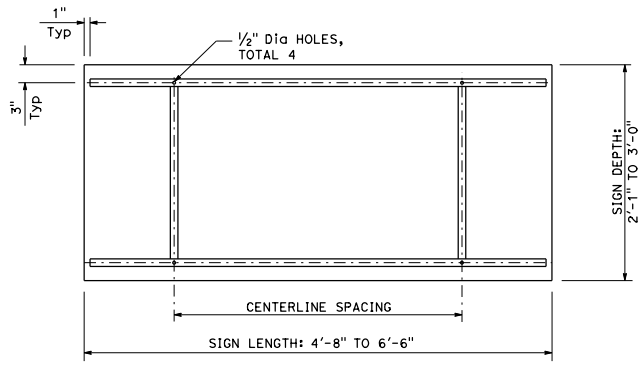
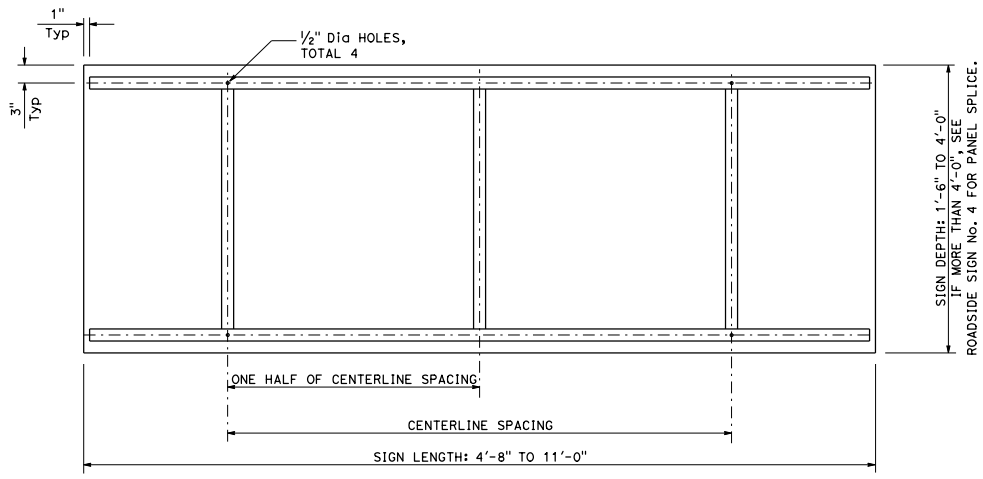


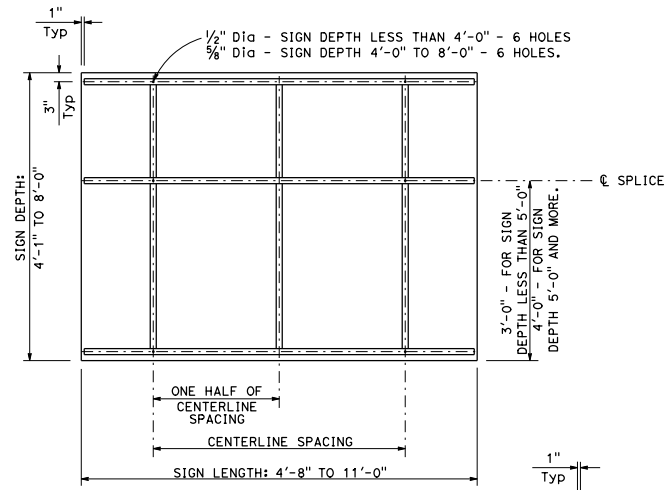
ROADSIDE SIGN DETAIL No. 1



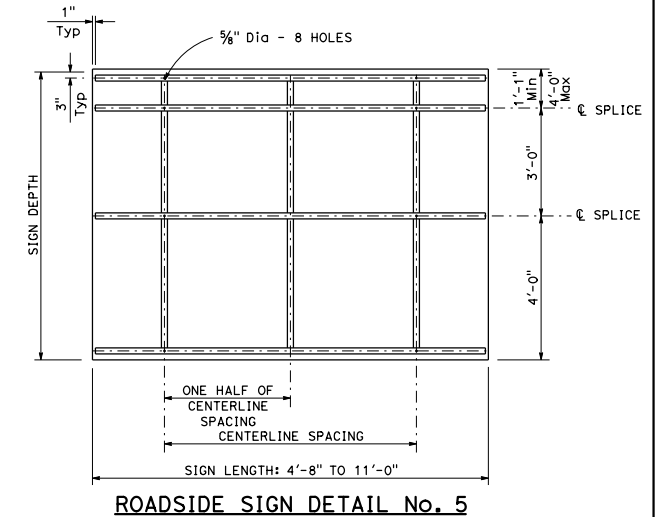
ROADSIDE SIGN DETAIL No. 2



ROADSIDE SIGN DETAIL No. 3



ROADSIDE SIGN DETAIL No. 4



ROADSIDE SIGN DETAIL No. 5

NOTES:

1. See Standard Plan S93 for framing details.
2. All members welded at joints as shown on Standard Plan S93.

STATE OF CALIFORNIA
DEPARTMENT OF TRANSPORTATION

**ROADSIDE FRAMED SINGLE SHEET
ALUMINUM SIGNS,
RECTANGULAR SHAPE**

NO SCALE

S94

Dist	COUNTY	ROUTE	POST MILES TOTAL PROJECT	SHEET No.	TOTAL SHEETS

Donald E. Howe
REGISTERED CIVIL ENGINEER

October 30, 2015
PLANS APPROVAL DATE

Donald E. Howe
No. C46402
Exp. 3-31-17
CIVIL
STATE OF CALIFORNIA

REGISTERED PROFESSIONAL ENGINEER

THE STATE OF CALIFORNIA OR ITS OFFICERS OR AGENTS SHALL NOT BE RESPONSIBLE FOR THE ACCURACY OR COMPLETENESS OF SCANNED COPIES OF THIS PLAN SHEET.